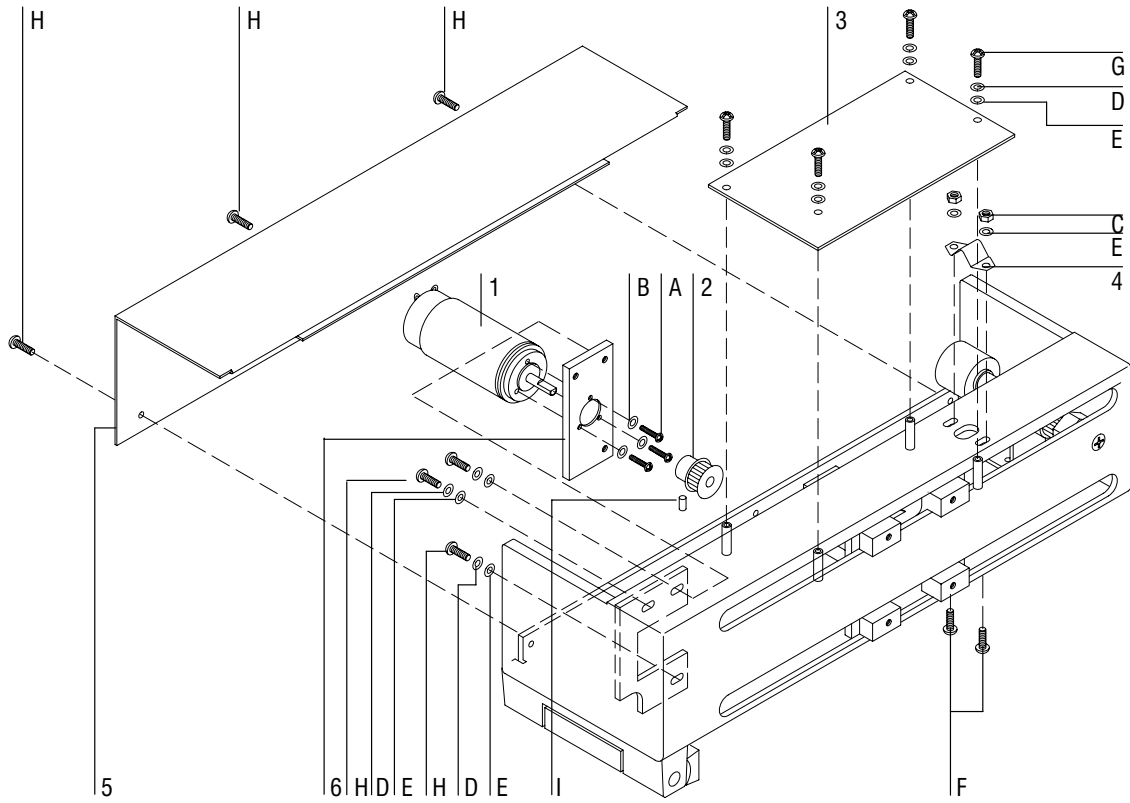


---

## 7694 Horizontal Loader Subassemblies

	<b>Description</b>	<b>HP Part No.</b>	<b>Qty</b>
1	Motor, horizontal loader assembly	301-219-HSP	1
2	Wheel, horizontal motor	301-095-HSP	1
3	PCB, position set	415-307-HSP	1
4	Spring, loch	301-002-HSP	1
5	Cover, back horizontal	301-135-HSP	1
6	Plate, motor holder	301-093-HSP	1
<b>Associated Nuts, Screws, and Washers</b>			
A	Screw, M2 X 5 pan head	0515-0303	3
B	Washer, flat M2	3050-0982	3
C	Nut, M3 lock	0535-0031	2
D	Washer, toothed M3	2190-0638	9
E	Washer, flat M3	3050-0891	9
F	Screw, M3 X 10 flat head	0515-1005	2
G	Screw, M3 X 6 pan head	0515-0924	4
H	Screw, M3 X 10 pan head	0515-0925	6
I	Setscrews, M3 X 6	0515-0863	1



**Figure 2-3.** Horizontal Loader Subassemblies